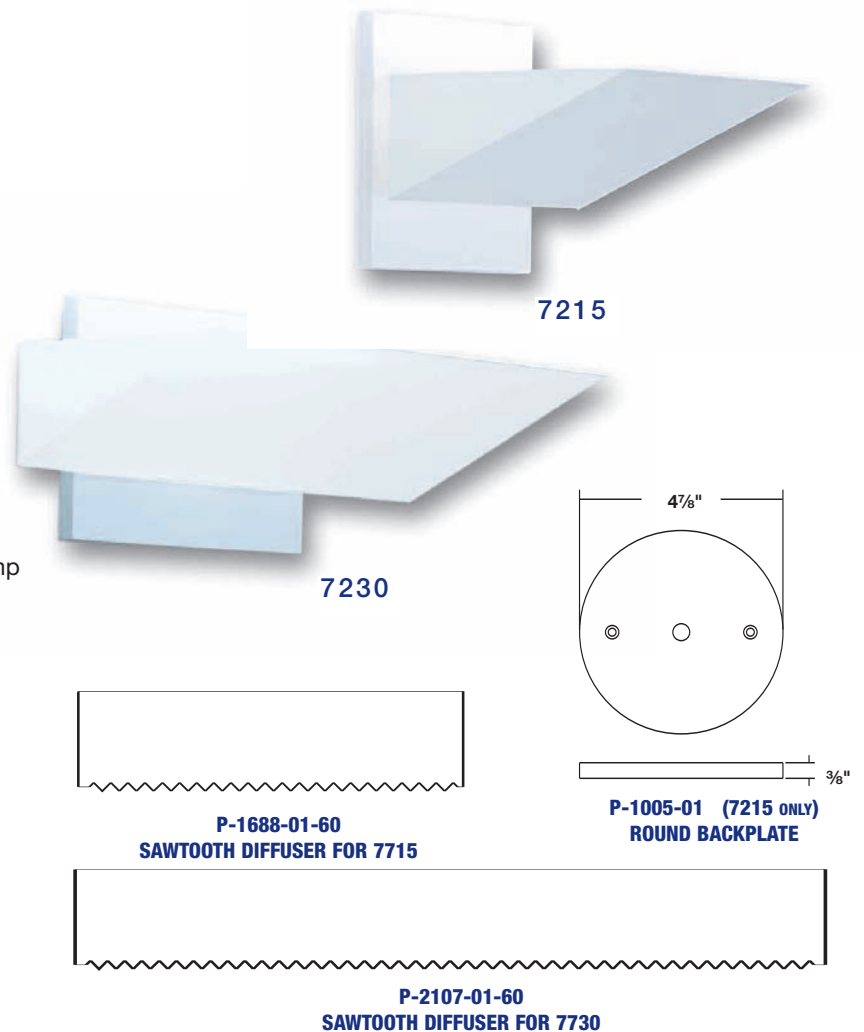


7215 & 7230

THE WEDGE LENS™

- Extruded Aluminum Housing
- 7215 - Square Backplate
- 7230 - Rectangular Backplate
- Specular Reflector
- Clear Tempered Pyrex® Protective Lens
- Frosted Pyrex® Protective Lens Available
- Available in 1 or 2 Lamp Fixtures
- Halogen DC Bayonet 100 watt or 150 watt Lamp
- Standard Powder Coat Finish Options:
 - Black
 - White
 - Copper
 - Titanium
 - Custom Finishes are Available
- Recommended Mounting Box - 4" Octagonal
- UL and CUL Listed Damp Location



Ordering Format for 7215 & 7230 Sconces

Choose one from each category

SERIES

7215
The Wedge Lens™
one lamp fixture with square backplate

7230
The Wedge Lens™
two lamp fixture with rectangular backplate

FINISH

BL
black

WH
white

COP
copper

TT
titanium



Modifications and custom configurations are available. Please contact our Sales Department.

Lamps

Product Code	U/M	Description
BACKPLATES AND ACCESSORIES		
<input type="checkbox"/> P-1029-01-00	ea	Clear Replacement Lens for 6215, 6230, 8815 Series
<input type="checkbox"/> P-1029-02-00	ea	Frosted Lens for 6215, 8815, 6230 Series
<input type="checkbox"/> P-1169-01-77	ea	4 ⁷ / ₈ " Round Cast Aluminum Backplate Black for 7215 Series
<input type="checkbox"/> P-1169-01-76	ea	4 ⁷ / ₈ " Round Cast Aluminum Backplate White for 7215 Series
<input type="checkbox"/> P-1169-01-79	ea	4 ⁷ / ₈ " Round Cast Aluminum Backplate Copper for 7215 Series
<input type="checkbox"/> P-1169-01-75	ea	4 ⁷ / ₈ " Round Cast Aluminum Backplate Titanium for 7215 Series
<input type="checkbox"/> P-1171-01-76	ea	4 ¹ / ₂ " Square Cast Aluminum Backplate White for 6215, 6230 Series
<input type="checkbox"/> P-1171-01-77	ea	4 ¹ / ₂ " Square Cast Aluminum Backplate Black for 6215, 6230 Series
<input type="checkbox"/> P-1171-01-79	ea	4 ¹ / ₂ " Square Cast Aluminum Backplate Copper for 6215, 6230 Series
<input type="checkbox"/> P-1171-01-75	ea	4 ¹ / ₂ " Square Cast Aluminum Backplate Titanium for 6215, 6230 Series
<input type="checkbox"/> P-1186-01-00	ea	Clear Replacement Lens for 7215, 7310 Series
<input type="checkbox"/> P-1185-01-00	ea	Clear Replacement Lens for 7230, 7320 Series
<input type="checkbox"/> P-1186-02-00	ea	Frosted Lens for 7215,7310 Series
<input type="checkbox"/> P-1185-02-00	ea	Frosted Lens for 7230, 7320 Series
<input type="checkbox"/> P-1688-01-60	ea	SawTooth Diffuser for 7215, 7310 Series
<input type="checkbox"/> P-2107-01-60	ea	SawTooth Diffuser for 7230, 7320 Series
<input type="checkbox"/> P-2109-01-60	ea	SawTooth Diffuser for 6215, 6230, 8815 Series
<input type="checkbox"/> Swivel Knuckle Kit	ea	Swivel Knuckle Kit allows for fixture movement <i>(6215, 7215 only) (see 6230 Varial™ page 10-4 for details)</i>
<input type="checkbox"/> 7260 Lens Kit	ea	Optional Lens Kit

Product Code	U/M	Description
LAMPS		
<input type="checkbox"/> CF9/35K	ea	9 watt Twin G23 Base Compact Fluorescent 3500°K
<input type="checkbox"/> CF13/35K	ea	13 watt Twin GX23 Base Compact Fluorescent 3500°K
<input type="checkbox"/> CF13Q/35K/2	ea	13 watt Quad GX23-2 Base Compact Fluorescent 3500°K
<input type="checkbox"/> CF13Q/35K/4	ea	13 watt Quad G24q-1 Base Compact Fluorescent 3500°K
<input type="checkbox"/> CF18Q/35K/4	ea	18 watt Quad G24q-2 Base Compact Fluorescent 3500°K
<input type="checkbox"/> CF26Q/35K/4	ea	26 watt Quad G24q-3 Base Compact Fluorescent 3500°K
<input type="checkbox"/> F14T5/35K	ea	14 watt T5 Performance Fluorescent 3500°K
<input type="checkbox"/> F21T5/35K	ea	21 watt T5 Performance Fluorescent 3500°K
<input type="checkbox"/> F28T5/35K	ea	28 watt T5 Performance Fluorescent 3500°K
<input type="checkbox"/> F35T5/35K	ea	35 watt T5 Performance Fluorescent 3500°K
<input type="checkbox"/> F24T5HO/35K	ea	24 watt T5 High Output Fluorescent 3500°K
<input type="checkbox"/> F39T5HO/35K	ea	39 watt T5 High Output Fluorescent 3500°K
<input type="checkbox"/> F54T5HO/35K	ea	54 watt T5 High Output Fluorescent 3500°K
<input type="checkbox"/> F80T5HO/35K	ea	80 watt T5 High Output Fluorescent 3500°K
<input type="checkbox"/> Q100DC	ea	100 watt Quartz Halogen DC Bayonet Base Frosted
<input type="checkbox"/> Q150DC	ea	150 watt Quartz Halogen DC Bayonet Base Frosted

Allow 4" for lamp overhang and removal

